

27NGD 7-Ton Narrow Body Gooseneck Dump Trailer

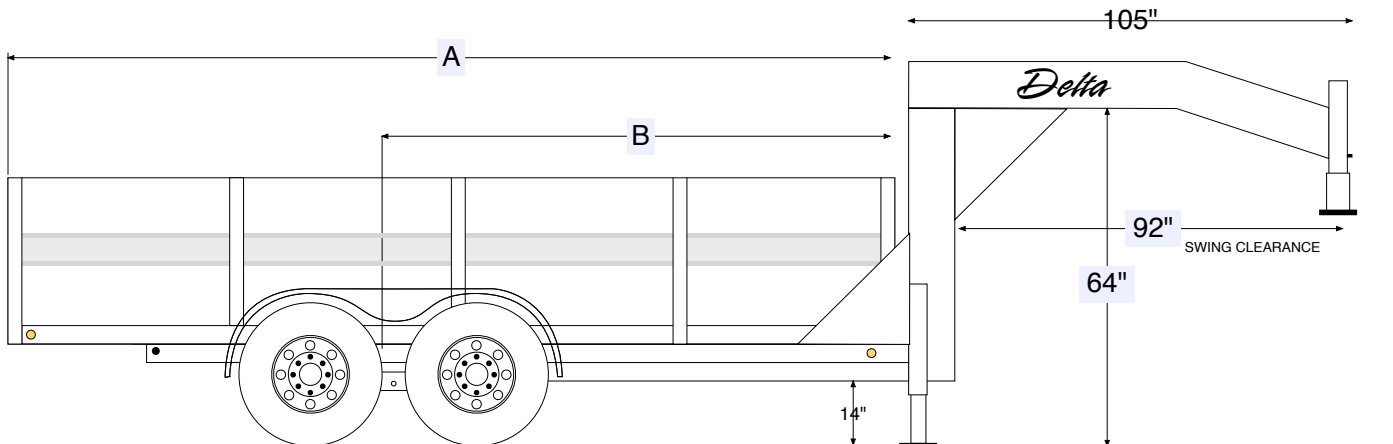
Gooseneck Model

G.V.W.R	14,000#	HYDRAULIC LIFT	Fully Self-Contained Electric/Hydraulic Scissor Lift
COUPLER	2 5/16" Bulldog Adjustable Gooseneck Coupler	HYDRAULIC PUMP	Front Mount Pump & Battery inside toolbox
AXLES	Tandem 7,000# Single Wheel	CONTROL	Magnetic Control Unit
SUSPENSION	Multi-leaf Slipper Spring with Equalizer	DUMP BED SIDES	36" high, 12 gauge smooth steel
BRAKES	Electric brakes on all axles	REAR GATE/DOOR	Combination Dump/Swing gate with Cam Latches
TIRE	ST235/80R16 (10 ply)	LOADING RAMPS	2 - 6 ft. Loading Ramps
WHEEL	16 x 6, 8-bolt Steel	LIGHTS	All LED Stop, Tail, Turn and Clearance
MAIN FRAME	2" x 5" Tubing	ELECTRIC PLUG	7-Way RV Style
GOOSENECK	10" I-Beam (12 lbs./ft.)	PREP	3-Step Acid Washed with Phosphorus Solution
CROSSMEMBERS	3" Channel on 16" centers	PRIMER	Dupont Primer
BED CROSSMEMBERS	3" Channel on 12" centers	PAINT	Dupont Automotive-grade Acrylic Enamel
FRAME TONGUE	5" Channel (doubled to 10")	PINSTRIPES	Painted Pinstripes
SAFETY CHAINS	Heavy Duty with Safety Latch Hooks	WIDTH	82" wide (approx.)
JACK	Twin 12,000# Spring Loaded Drop Leg Jacks	FLOOR HEIGHT	Approx. 24"
BED TIE DOWNS	4-Heavy Duty D-Rings	STORAGE	Storage Area in A-Frame (Expanded Metal)
FLOOR	12 gauge smooth steel	WIRING	Front Mount in conduit
FENDERS	Steel Diamondplate	REFLECTIVE TAPE	Required D.O.T. Reflective Taping
TOOLBOX	Front Mount toolbox with lid between jacks	SAFETY	Emergency Breakaway switch & battery backup
DUMP ANGLE	45 degree Dump Angle (max)		All specifications subject to change without notice.

Measurements

Length	A	B
12	144	81"
14	168	102"
16	192	108"

All measurements are approximate



SUGGESTED RETAIL PRICE

Gooseneck

Model	Length	Capacities	MSRP
27NGD-12	12'	9.1 cubic yards	\$9,969
27NGD-14	14'	10.6 cubic yards	\$10,569
27NGD-16	16'	12.1 cubic yards	\$10,975

27NGD OPTIONS PRICING

2-Speed Jack System (trailer comes with 2 standard jacks)	\$168
Shrinkwrap Electrical Connections	\$76

Spare Wheel	\$69
Spare (Complete Tire & Wheel)	\$222