

27EB

Tandem Axle Equipment Trailer

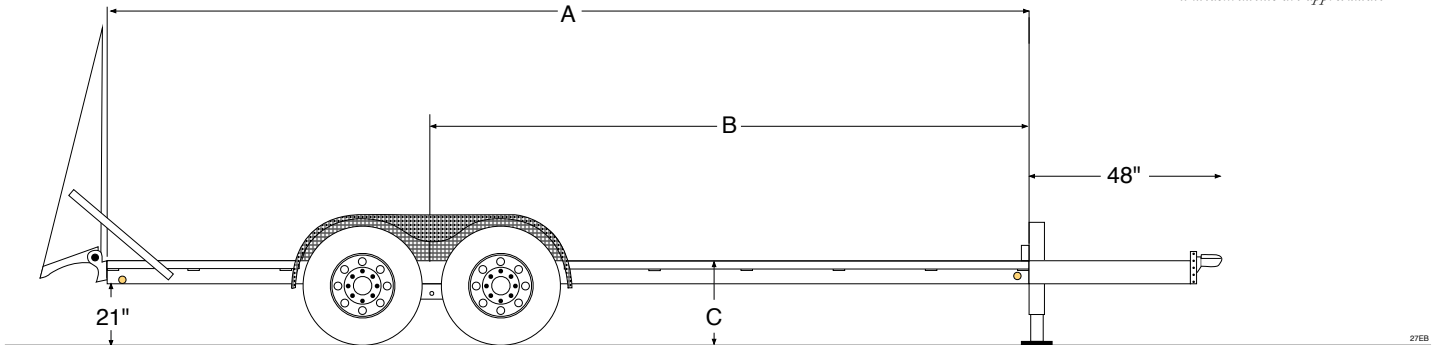
G.V.W.R	14,000#	LOADING RAMPS	2 - 3" Channel Loading Ramps (spring-assisted)
COUPLER	2 5/16" Bulldog Coupler on Leveler Track	LIGHTS	All LED Stop, Tail, Turn and Clearance
AXLES	Tandem 7,000# Single Wheel	ELECTRIC PLUG	7-Way RV Style
SUSPENSION	Multi-leaf Slipper Spring with Equalizer	PREP	3-Step Acid Washed with Phosphorus Solution
BRAKES	Electric brakes on all axles	PRIMER	Dupont Primer
TIRE	ST235/80R16 (10 ply)	PAINT	Dupont Automotive-grade Acrylic Enamel
WHEEL	16 x 6, 8-bolt	PINSTRIPES	Painted Pinstripes
FRAME	6" Channel	WIDTH	82" wide (approx. between fenders)
TOUNGE	5" Channel	DECK HEIGHT	Approx. 28"
CROSSMEMBERS	3" Channel on 16" centers	STORAGE	Storage Area in A-Frame (Expanded Metal)
SAFETY CHAINS	Heavy Duty with Safety Latch Hooks	WIRING	Front Mount in conduit
JACK	Single 12,000# Spring Loaded Drop Leg Jack	REFLECTIVE TAPE	Required D.O.T. Reflective Taping
SIDE RAILS	Stake Pockets & Rub Rails	SAFETY	Emergency Breakaway switch & battery backup
FLOOR	2" Pressure Treated Pine		
FENDERS	Diamondplate Teardrop with full backplate		
			All specifications subject to change without notice.

Measurements

when equipped with 5' dove tail

Length	A	B	C
14	168	102"	28"
16	192	114"	28"
18	216	126"	28"
20	240	138"	28"
22	264	150"	28"
24	288	162"	28"

All measurements are approximate



SUGGESTED RETAIL PRICE

Bumper Pull

Model	Length	Frame	MSRP
27EB-14	14'	6" Channel	\$4,669
27EB-16	16'	6" Channel	\$4,877
27EB-18	18'	6" Channel	\$5,084
27EB-20	20'	8" Channel	\$5,291
27EB-22	22'	8" Channel	\$5,498
27EB-24	24'	8" Channel	\$5,701

27EB OPTIONS PRICING

Dove Tail (2 ft.)	\$115
Front Mount Toolbox with lid (located in front a-frame)	\$229
Extra Spring Loaded Jack (Dual Jacks)	\$207
2-Speed Jack System (includes 2nd Jack)	\$375
Shrinkwrap Electrical Connections	\$76

Metal Floor (3/16" Diamondplate with crossmembers on 12" centers)	\$69/ft.
Spare Wheel	\$69
Spare (Complete Tire & Wheel)	\$222
Paint Underside of Trailer	\$100
Slide-in Ramps	\$321
Deduct for no ramps	-\$100