

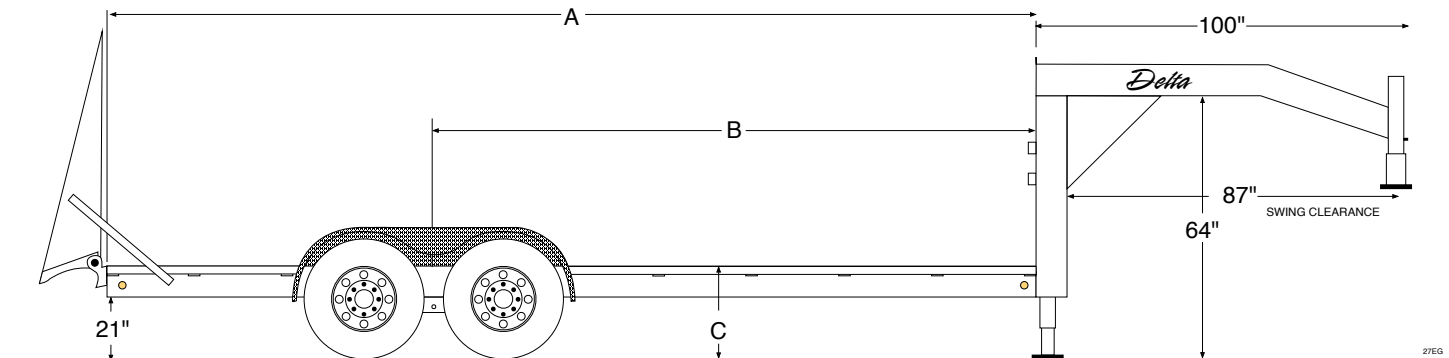
G.V.W.R	14,000#	LOADING RAMPS	2-Heavy Duty Loading Ramps
COUPLER	2 5/16" Bulldog Adjustable Gooseneck Coupler	LIGHTS	All LED Stop, Tail, Turn and Clearance
AXLES	Tandem 7,000# Single Wheel	ELECTRIC PLUG	7-Way RV Style
SUSPENSION	Multi-leaf Slipper Spring with Equalizer	PREP	3-Step Acid Washed with Phosphorus Solution
BRAKES	Electric brakes on all axles	PRIMER	Dupont Primer
TIRE	ST235/80R16 (10 ply)	PAINT	Dupont Automotive-grade Acrylic Enamel
WHEEL	16 x 6, 8-bolt	PINSTRIPES	Painted Pinstripes
FRAME	6" Channel on 14'-18', 8" Channel on 20'-24'	WIDTH	82" wide (approx. between fenders)
GOOSENECK	10" I-Beam	DECK HEIGHT	Approx. 28" standard
CROSSMEMBERS	3" Channel on 16" centers	STORAGE	Storage Area in A-Frame (Expanded Metal)
SAFETY CHAINS	Heavy Duty with Safety Latch Hooks	WIRING	Front Mount in conduit
JACK	Single 12,000# Spring Loaded Drop Leg Jack	REFLECTIVE TAPE	Required D.O.T. Reflective Taping
SIDE RAILS	Stake Pockets & Rub Rails	SAFETY	Emergency Breakaway switch & battery backup
FLOOR	2" Pressure Treated Pine		
FENDERS	Diamondplate Teardrop with full backplate		
			All specifications subject to change without notice.

Measurements

when equipped with 5' dove tail

Length	A	B	C
14	168	114"	28"
16	192	126"	28"
18	216	138"	28"
20	240	150"	28"
22	264	162"	28"
24	288	174"	28"

All measurements are approximate



SUGGESTED RETAIL PRICE

Gooseneck

Model	Length	Frame	MSRP
27EG-14	14'	6" Channel	\$4,825
27EG-16	16'	6" Channel	\$5,034
27EG-18	18'	6" Channel	\$5,240
27EG-20	20'	8" Channel	\$5,446
27EG-22	22'	8" Channel	\$5,653
27EG-24	24'	8" Channel	\$5,859

27EG OPTIONS PRICING

Dove Tail (2 ft.)	\$115
Front Mount Toolbox with lid (only available with dual jack option)	\$229
Extra Spring Loaded Jack (Dual Jacks)	\$207
2-Speed Jack System (includes 2nd Jack)	\$375
Shrinkwrap Electrical Connections	\$76

Metal Floor (3/16" Diamondplate with crossmembers on 12" centers)	\$69/ft.
Spare Wheel	\$69
Spare (Complete Tire & Wheel)	\$222
Paint Underside of Trailer	\$100
Slide-in Ramps	\$321
Deduct for no ramps	-\$100