

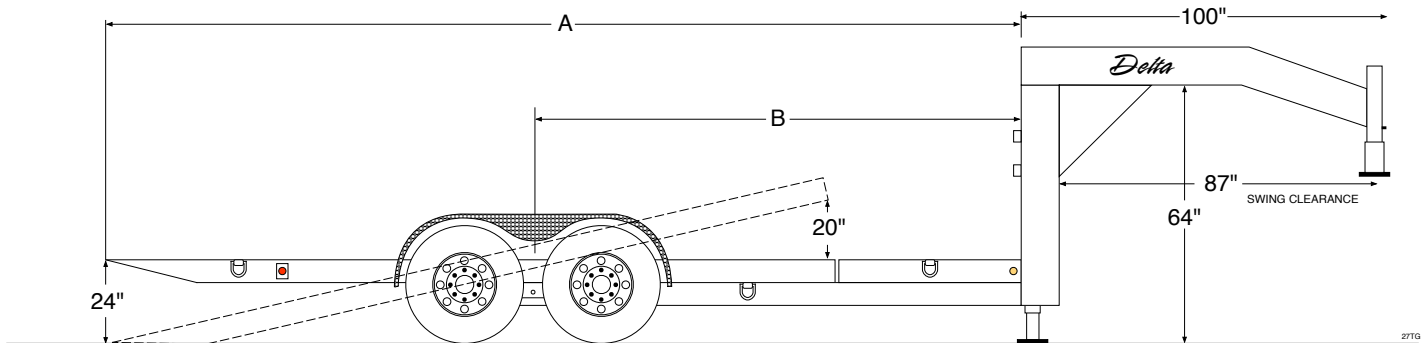
G.V.W.R	14,000#	TILT-SYSTEM	Two-way Hydraulic Dampening System
COUPLER	2 5/16" Bulldog Adjustable Gooseneck Coupler	LOADING AREA	Split Diamondplate loading edge
AXLES	Tandem 7,000# Single Wheel	LIGHTS	All LED Stop, Tail, Turn and Clearance
SUSPENSION	Dexter Torflex Axles (independent suspension)	ELECTRIC PLUG	7-Way RV Style
BRAKES	Electric brakes on all axles	PREP	3-Step Acid Washed with Phosphorus Solution
TIRE	ST235/80R16 (10 ply)	PRIMER	Dupont Primer
WHEEL	16 x 6, 8-bolt	PAINT	Dupont Automotive-grade Acrylic Enamel
FRAME	5" Channel	PINSTRIPES	Painted Pinstripes
GOOSENECK	10" I-Beam	WIDTH	80" wide (approx)
CROSSMEMBERS	3" Channel on 16" centers	DECK HEIGHT	Approx. 27" standard
SAFETY CHAINS	Heavy Duty with Safety Latch Hooks	STORAGE	Storage Area in A-Frame (Expanded Metal)
JACK	Single 12,000# Spring Loaded Drop Leg Jack	WIRING	Front Mount in conduit
SIDE RAILS	5" Channel with Rub Rails & Stake Pockets	REFLECTIVE TAPE	Required D.O.T. Reflective Taping
FLOOR	2" Pressure Treated Pine	SAFETY	Emergency Breakaway switch & battery backup
FENDERS	Diamondplate Teardrop with full backplate		
			All specifications subject to change without notice.

Measurements

20' model shown (4 + 16)

Length	Tilt Deck	Front Deck	A	B
16	16'	0'	192	88"
18	16'	2'	216	112"
20	16'	4'	240	136"
22	16'	6'	264	160"
24	16'	8'	288	184"

All measurements are approximate



SUGGESTED RETAIL PRICE

Gooseneck

Model	Length	Fixed Deck	Tilt-Deck	MSRP
27TG-17	17'	1'	16'	\$6,449
27TG-18	18'	2'	16'	\$6,823
27TG-20	20'	4'	16'	\$7,192
27TG-22	22'	6'	16'	\$7,563
27TG-24	24'	8'	16'	\$7,932

27TG OPTIONS PRICING

Front Mount Toolbox with lid (only available with dual jack option)	\$229
Extra Spring Loaded Jack (Dual Jacks)	\$207
2-Speed Jack System (includes 2nd Jack)	\$375
Metal Floor (3/16" Diamondplate with crossmembers on 12" centers)	\$69/ft.
Shrinkwrap Electrical Connections	\$76

Removable Diamondplate Fenders	\$383
D-Rings (ea.)	\$22
Paint Underside of Trailer (standard feature)	INCL
Spare Wheel	\$69
Spare (Complete Tire & Wheel)	\$222